



Changshu Talent  
Semiconductors Co.,Ltd  
Tel:0086-512-52851998  
Fax:0086-512-52153129

# 1SS404

## High Speed Switching Diode

### Features

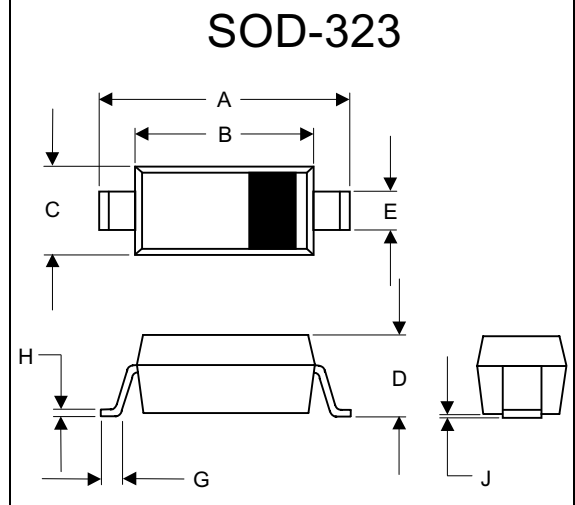
- High speed switching diode
- Surface Mount
- Fast Reverse Recovery Time:  $I_R=50\mu A(\max.)$
- Small Total Capacitance:  $C_T=46pF(\text{typ.})$
- Lead Free Finish/RoHS Compliant

### Mechanical Data

- Marking: S51
- Polarity: Indicated by Cathode Band
- Epoxy meets UL 94 V-0 flammability rating
- Moisture Sensitivity Level 1

### Maximum Ratings @ 25°C Unless Otherwise Specified

Maximum (peak) Reverse Voltage	$V_{RM}$	25	V
Reverse Voltage	$V_R$	20	V
Maximum (peak) Forward Current	$I_{FM}$	700	mA
Average Forward Current	$I_O$	300	mA
Power Dissipation	$P_D^{(1)}$	200	mW
Junction Temperature	$T_J$	150	°C
Storage Temp. Range	$T_{STG}$	-55 to +150	°C



DIM	DIMENSIONS				NOTE
	INCHES		MM		
	MIN	MAX	MIN	MAX	
A	.090	.107	2.30	2.70	
B	.063	.071	1.60	1.80	
C	.045	.053	1.15	1.35	
D	.031	.045	0.80	1.15	
E	.010	.016	0.25	0.40	
G	.004	.018	0.10	0.45	
H	.004	.010	0.10	0.25	
J	-----	.006	-----	0.15	

### Electrical Characteristics @ 25°C Unless Otherwise Specified

Typical Forward Voltage	$V_F$	0.16V 0.22V 0.38V	$I_{FM} = 1.0mA;$ $I_{FM} = 10mA;$ $I_{FM} = 300mA;$
Maximum Reverse Current	$I_R$	50uA	$V_R=20Volts$ $T_J = 25^\circ C$
Typical Junction Capacitance	$C_T$	46pF	Measured at 1.0MHz, $V_R=0V$

Notes: 1. When mounted on a glass epoxy board PCB: 20mm x 20mm, with copper pad 4mm x 4mm.

### SUGGESTED SOLDER PAD LAYOUT

